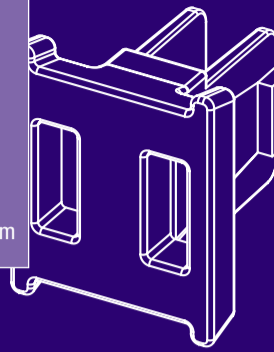


panel latch

n|p|k products

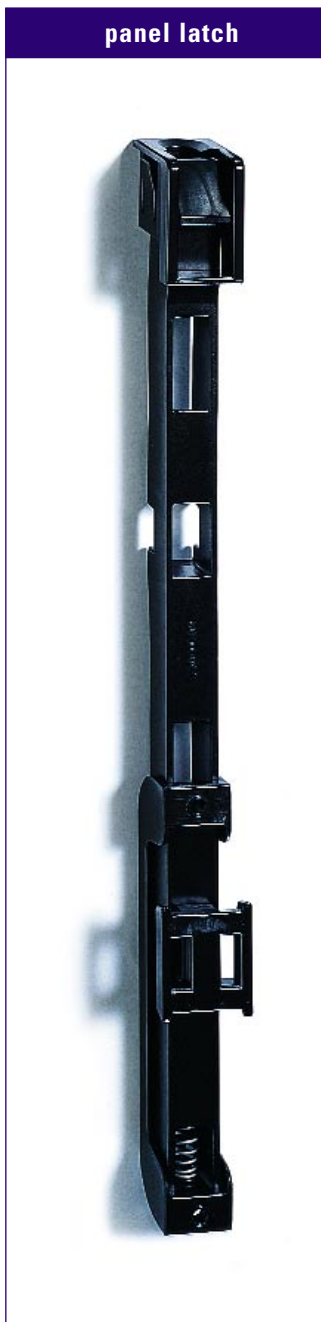
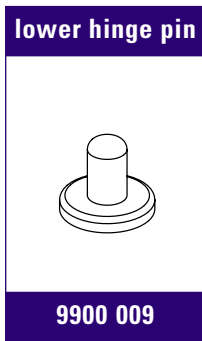
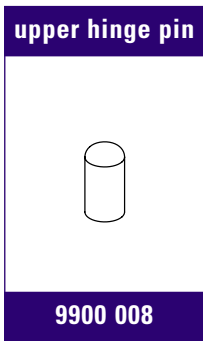
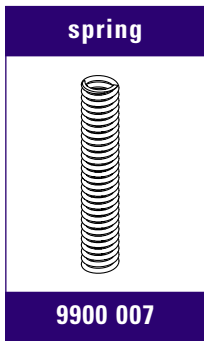
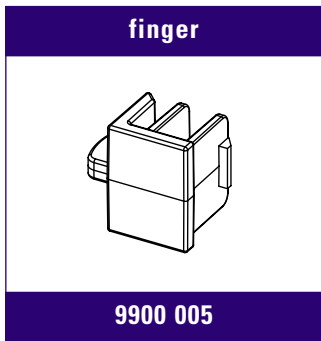
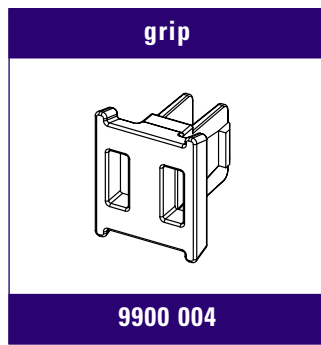
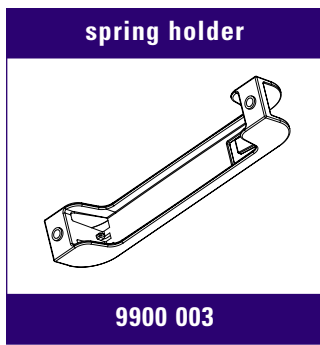
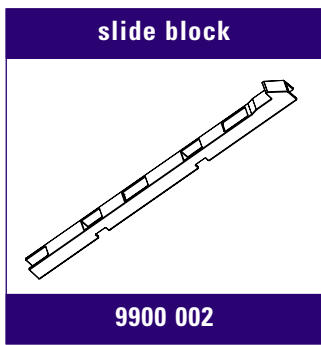
noordeinde 2d
2311 CD leiden
the netherlands
T +31 (0)71 516 28 80
F +31 (0)71 516 28 81
E npkproducts@npk.nl
I www.npkproducts.com



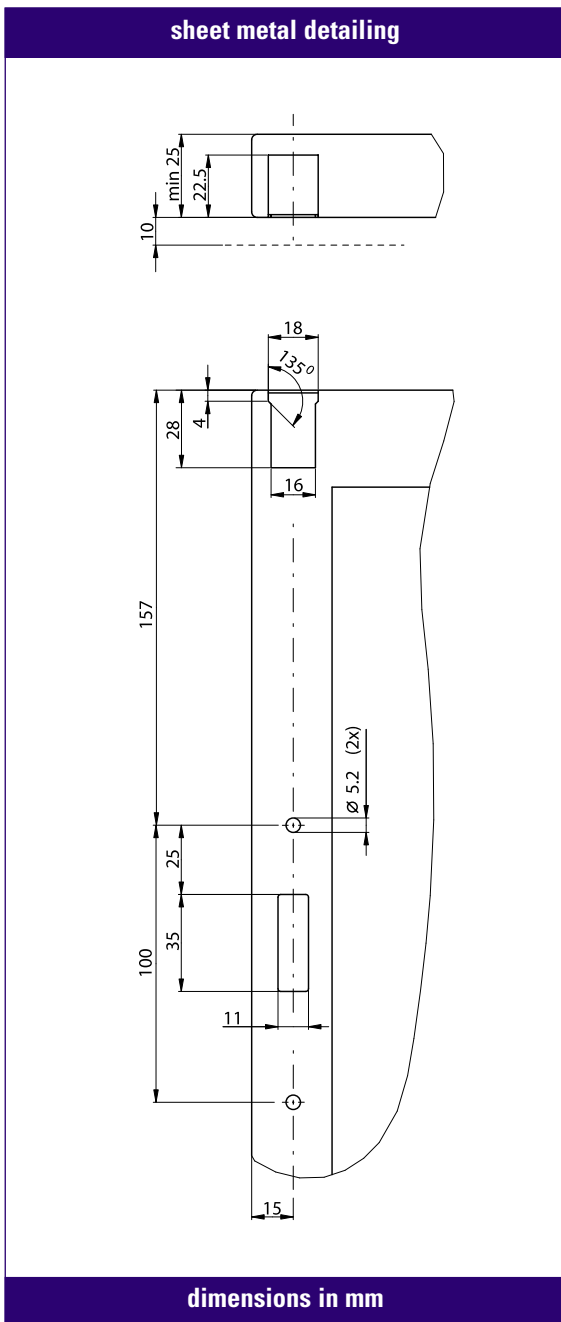
place
stamp
here

n|p|k products

sales department
noordeinde 2d
2311 CD leiden
the netherlands



- features**
- one solution for both opening and closing and left and right side hinging.
 - tool secured, high quality design according to semicon safety standards.
 - easy removal of panels by one person for access during maintenance.
 - quick release locking feature with custom opening tool.
 - concealed system.
 - flexible solution for use in different configurations and various types of enclosures.
 - high strength and durability.
 - corrosion-resistant.
 - adaptable on panels with sizes from 200 by 600 mm up to 800 mm by 2000 mm
 - material thickness: 0,8 - 1,0 mm.
 - material plastic parts: POM
 - colour: black.



panel latch - information request

n|pk products is happy to answer all your enquiries

free sampling

please send me four free panel latch assemblies for evaluation purposes.

prices

please send me detailed panel latch price information.



customer information

last name _____

first name _____

company/organisation _____

department _____

title/function _____

address _____

city/postal/zip _____

province/state _____

country _____

telephone _____

fax _____

e-mail _____

website _____